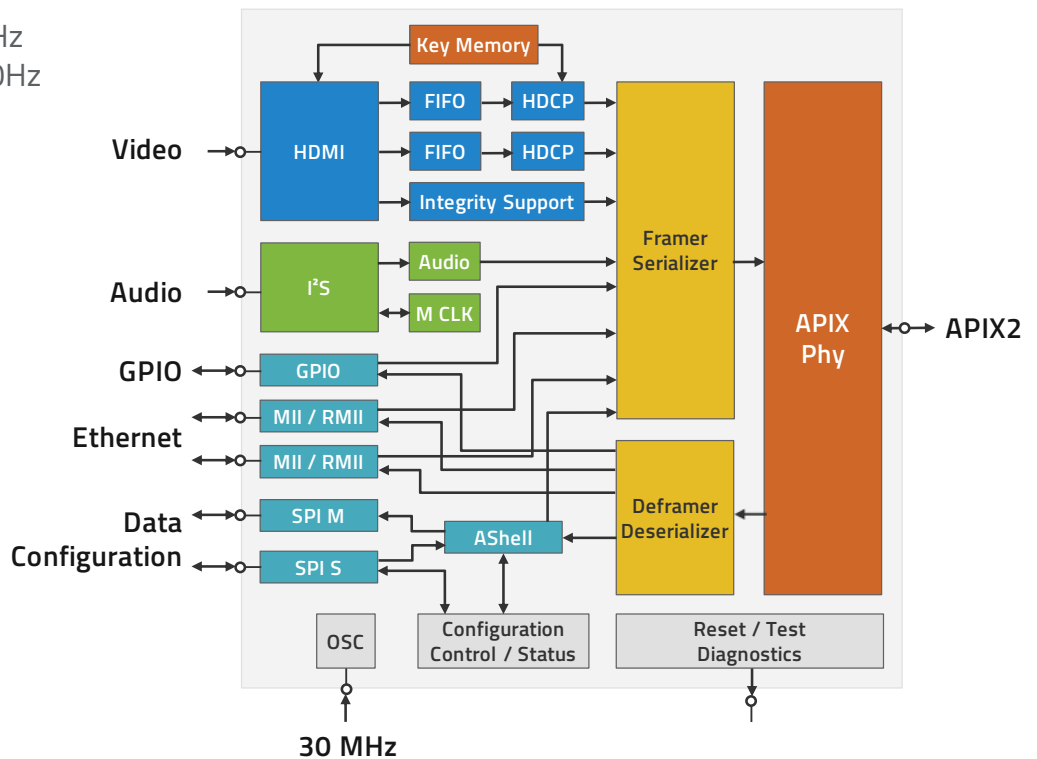


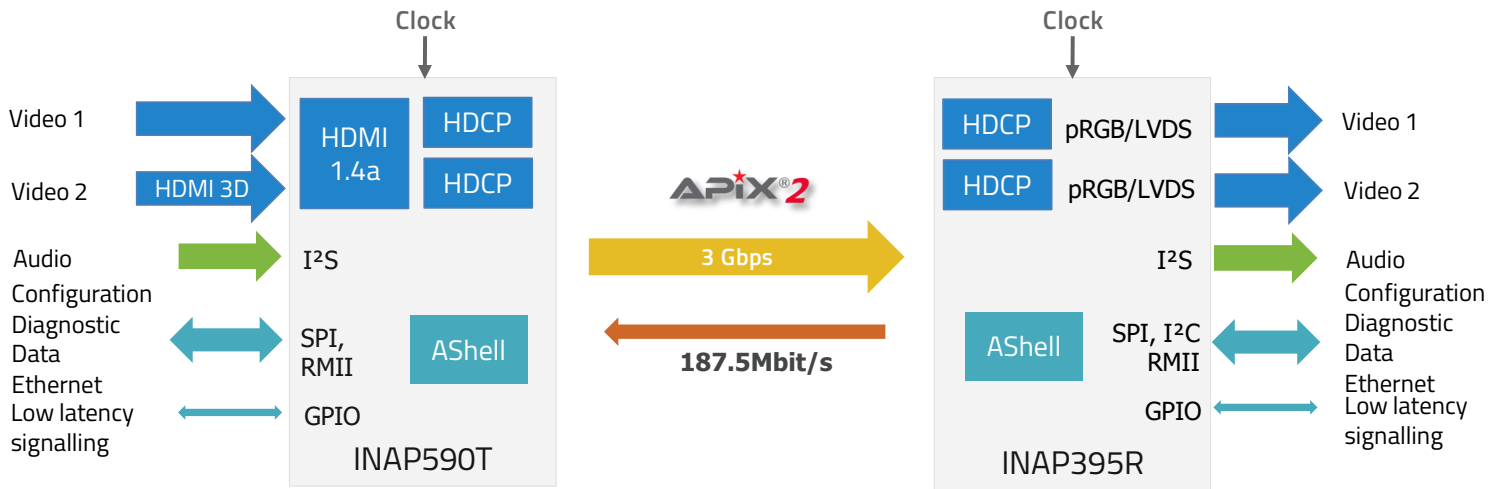
# INAP590T

## HDMI to APIX2 Bridge with HDCP support

### FEATURES

- Flexible physical layer supporting
  - 3 Gbps bandwidth
  - 187.5 Mbps upstream
  - up to 12 Gbps downstream physical layer testing
- Two independent video streams
- 2 HDCP encryption engines
  - Source encryption and repeater functionality
- HDMI 1.4a interface with 3D support
  - For RGB and YUV color coding
- Video resolutions up to
  - 1920 x 720 x 24 Bit @ 60Hz
  - 1920 x 1080 x 24 Bit @ 30Hz
- Diagnostic Features
  - Self Test
  - Embedded diagnostics
- Configurable full-duplex communication channel for Data, Ethernet or GPIO
  - MII / RMIi interface
  - SPI data interfaces
  - GPIO's for direct signalling
- Embedded AShell protocol
- I<sup>2</sup>S Audio interface
  - 16 / 24 / 32 Bit word length
  - 44.1 kHz / 48 / 96 kHz sampling
  - TDM support for up to 8 channels





### TEMPERATURE QUALITY

- -40°C to +105°C
- AEC -Q100

### DESERIALIZER

- INAP395R (HDCP)
- INAP375R
- Indigo2 (w/wo HDCP - Socionext)

### APPLICATIONS

- Infotainment Systems
- Head Units
- Head Up Displays
- Multimedia Gateways
- Central Information Displays
- Instrument Clusters
- Rear-Seat Infotainment Systems

Part Number	Package	Pack Size	HDCP
INAP590TAQ-T	151 aQFN	176 / Tray	yes
INAP590TAQ-R2	151 aQFN	2000 / Reel	yes